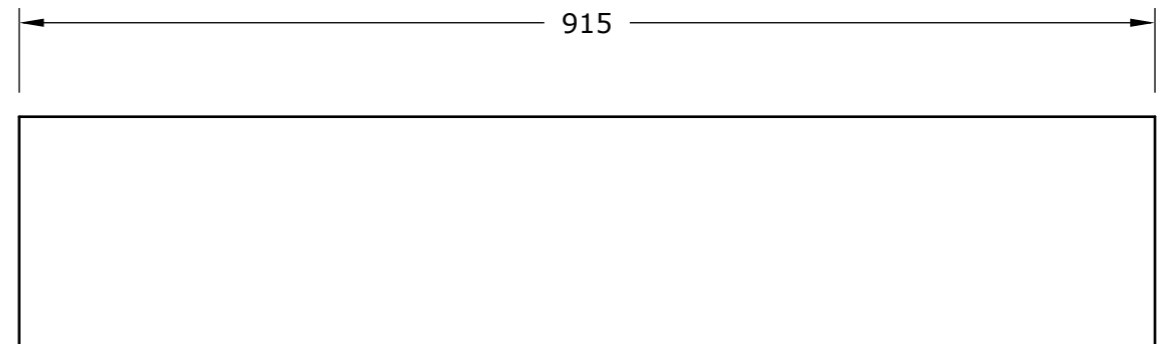
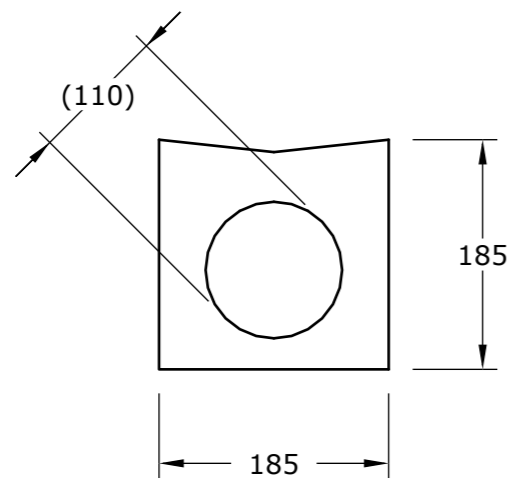
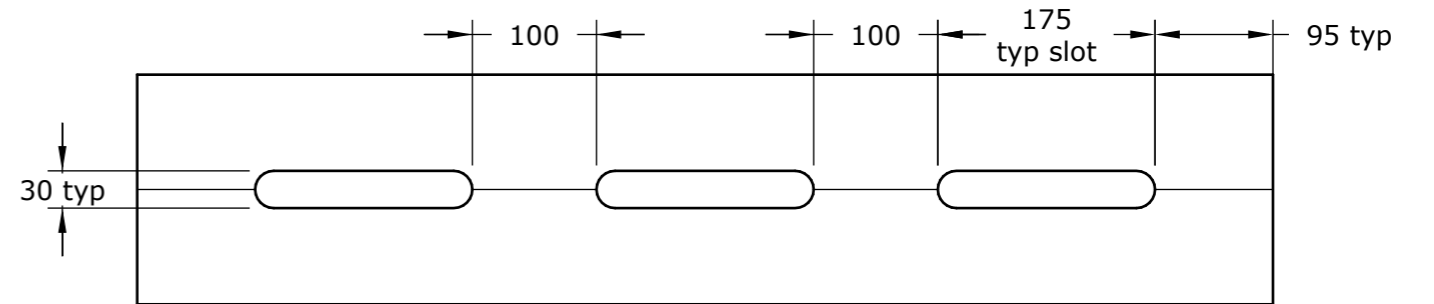
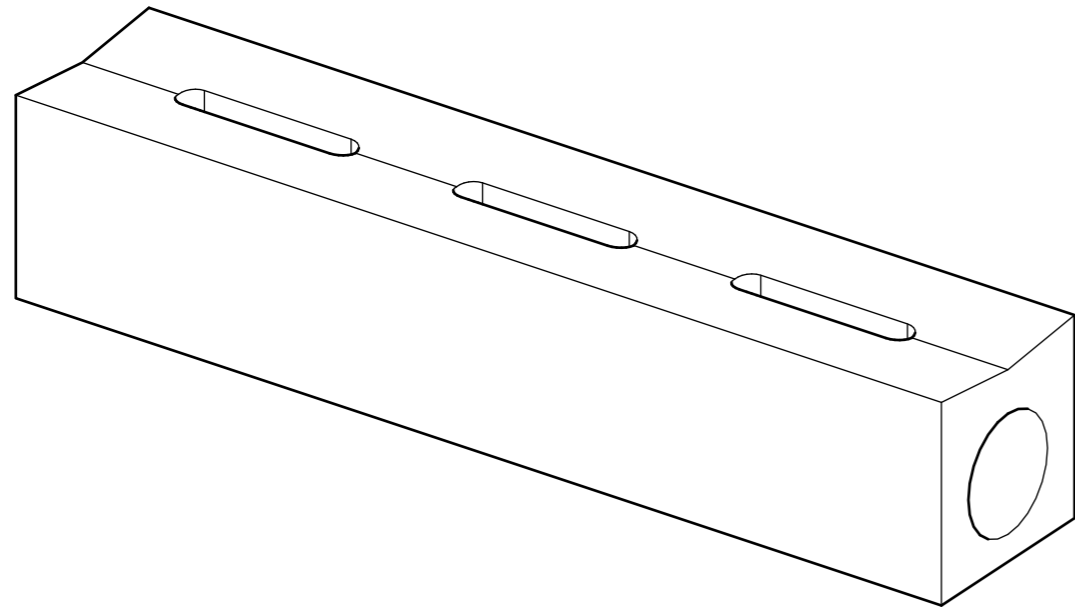


**FOR REFERENCE ONLY  
 ACTUAL PRODUCT WILL DIFFER  
 PLEASE CONTACT WEST COUNTRY CONCRETE  
 PRODUCTS DIRECTLY FOR FULL DETAILS**



**FOR REFERENCE ONLY  
 ACTUAL PRODUCT WILL DIFFER  
 PLEASE CONTACT WEST COUNTRY CONCRETE  
 PRODUCTS DIRECTLY FOR FULL DETAILS**

**NOTE:** All drawings in mm and deg unless stated otherwise  
 All drawings have a  $\pm 3\text{mm}$  &  $\pm 0.2^\circ$  tolerance  
 All scales as listed in drawing details unless stated otherwise  
**DO NOT** guess or assume dimensions. Contact us if further information is required

| WEST COUNTRY CONCRETE PRODUCTS Ltd |   |             |
|------------------------------------|---|-------------|
| Slotted Drainage Channel           |   |             |
| CUSTOMER: XXX                      |   |             |
| PROJECT: XXX                       |   | SCALE: 1:XX |
| REV:XX                             | REV DATE: XX/XX/XXXX  | AUTHOR: XX  |
| 01409 281 437                      | Andigestion Lane, Chilsworthy,<br>Holsworthy, Devon, EX22 7HH |             |
| info@wccp.co.uk                    |   |             |