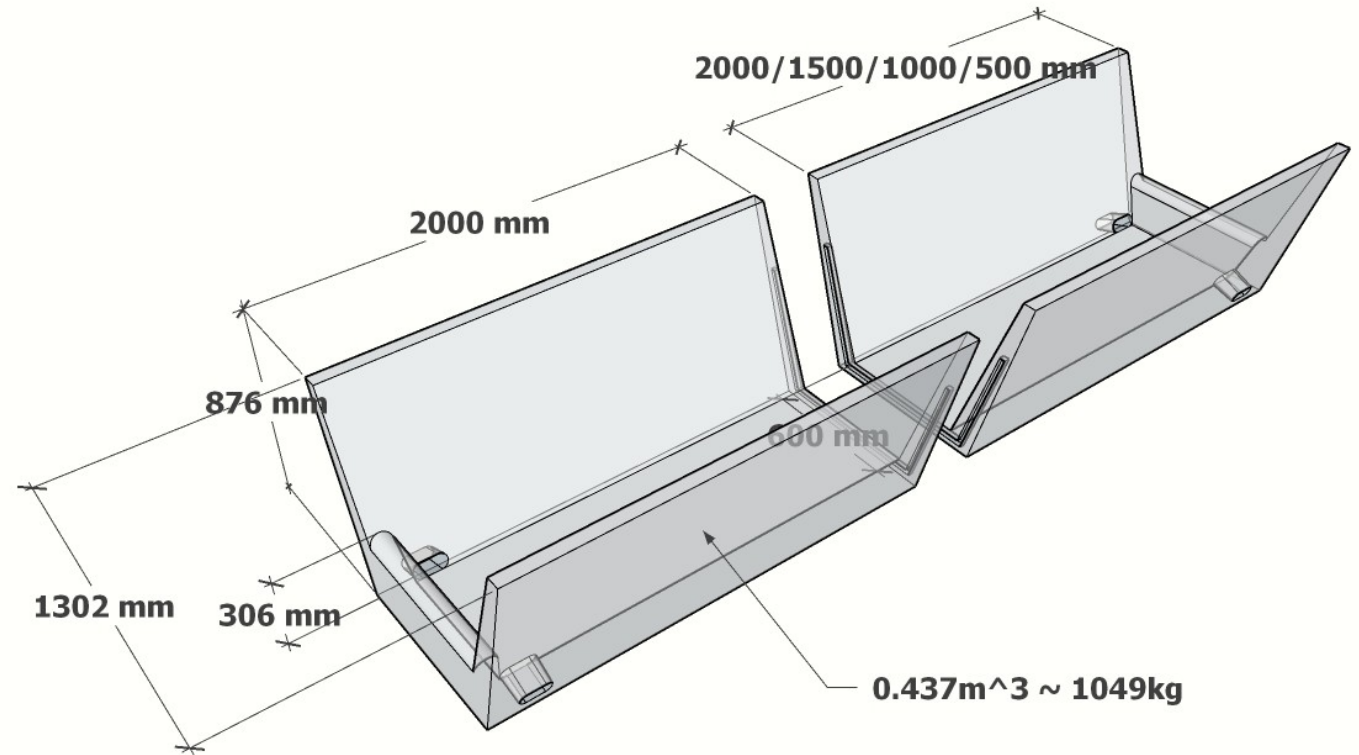


Cattle Footbath



Our precast concrete cattle footbath has been developed as a two part kit to give a total length of 2.5m, 3m, 3.5m or 4m to suit your situation. The footbaths are supplied in two main parts as a kit complete with screw in lifting loops, mastic, applicator gun, and bungs. There are 4 fast drain outlets to the sides with one in each corner providing flexibility with drainage on installation. The floor of the footbath has a negative treadplate texture which provides good grip when immersed in the hoof treatment solution.

The design, unique to West Country Concrete Products, has taken on board many of the points raised in an article "Footbaths of the future" written by a clinical assistant professor with the school of Veterinary Medicine at the University of Wisconsin-Madison in America.

The tapered shape reduces the volume of chemicals required to achieve the required depth saving money each time the bath is refilled.

West Country Concrete Products Ltd
Endford Works, Shebbear, Devon, EX21 5RY
01409 281437 – 07970 520123
info@wccp.co.uk

West
Country
Concrete
Products