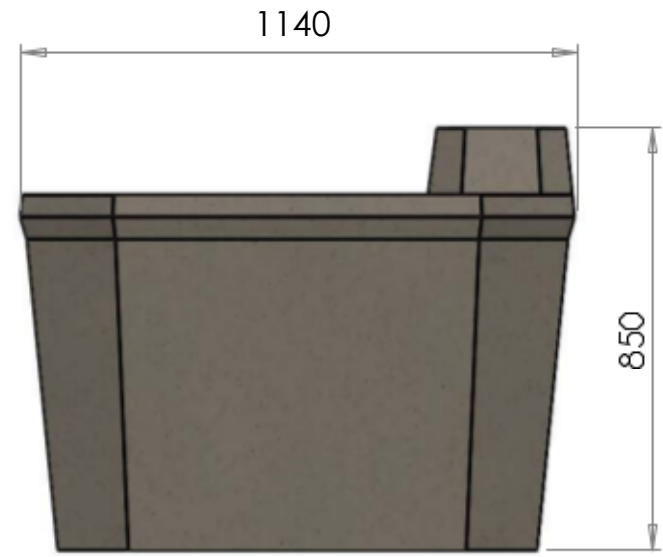
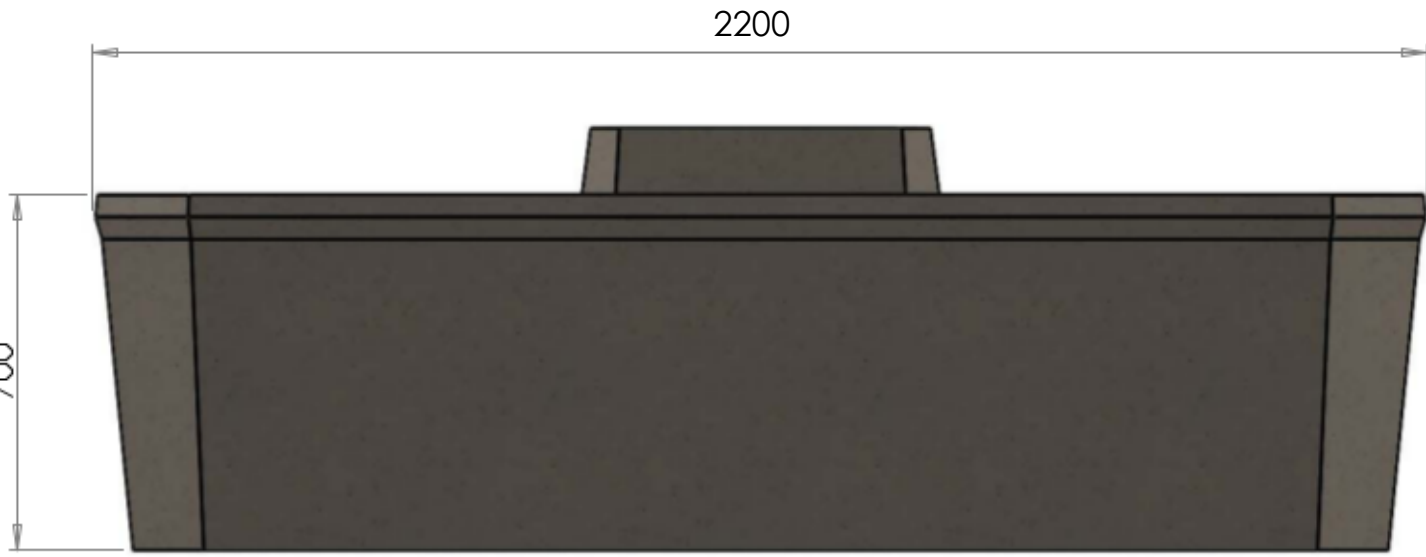
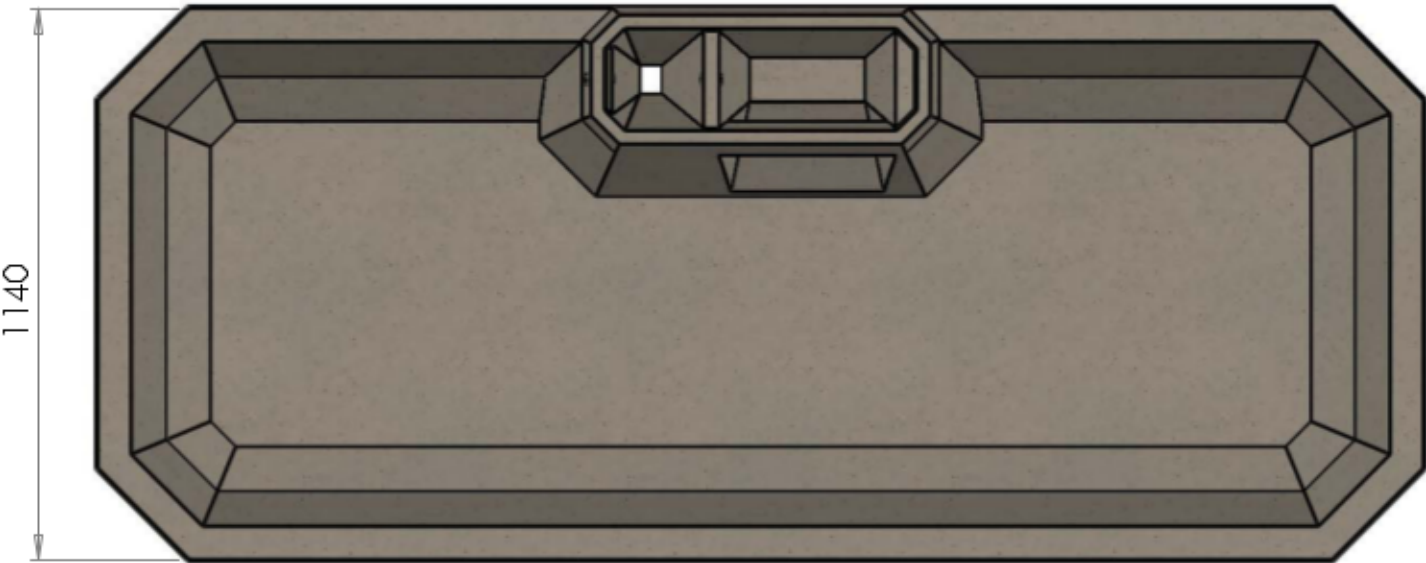


West Country Concrete Products

180 Gallon Drinker



1250 kg Approx
0.52 M³